

3 Port Mechanical Valve/Heavy Duty Style

Series VM800

Sturdy Construction.
NC and NO models available.
Piping possible to any port.
Many actuator positions and orientation options.



Specifications

Fluid	Air
Operating pressure	-100kPa to 1.0MPa
Ambient and fluid temperature	-5 to 60°C (No freezing)
Effective area (Cv)	6mm ² (0.33)
Lubrication	Not required/Turbine oil #1 (ISO VG32)
Port size (Nominal size)	Rc(PT) 1/8 (6A)
Weight (Basic)	180g

Model

Actuator	Model	Actuator part No.
Basic	VM830-01-00	—
Roller lever	VM830-01-01	VM-01F
Adjustable roller lever	VM830-01-13	VM-13F
Adjustable rod lever	VM830-01-14	VM-14F



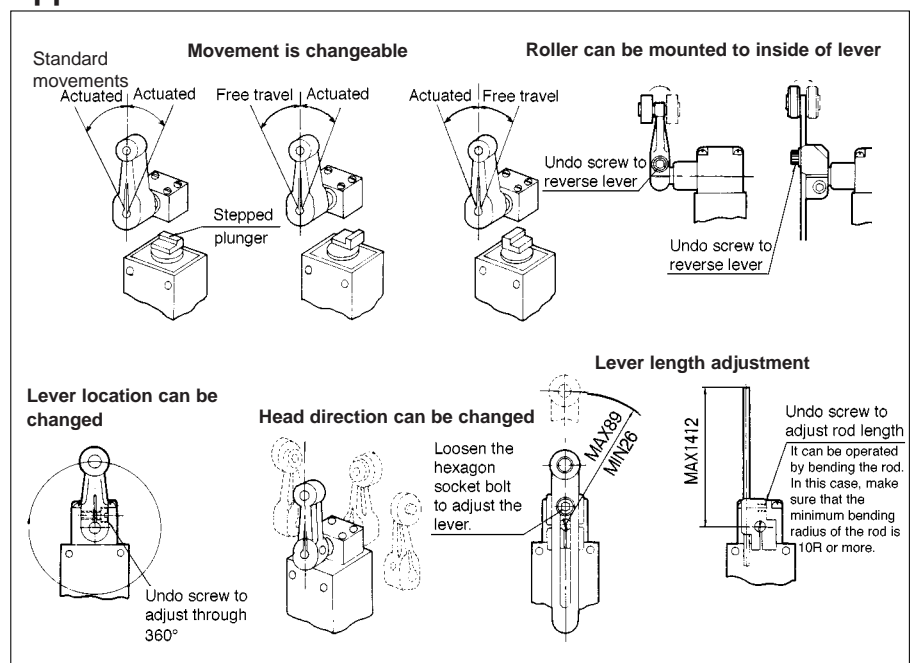
Actuator replacement is available.

How to Order

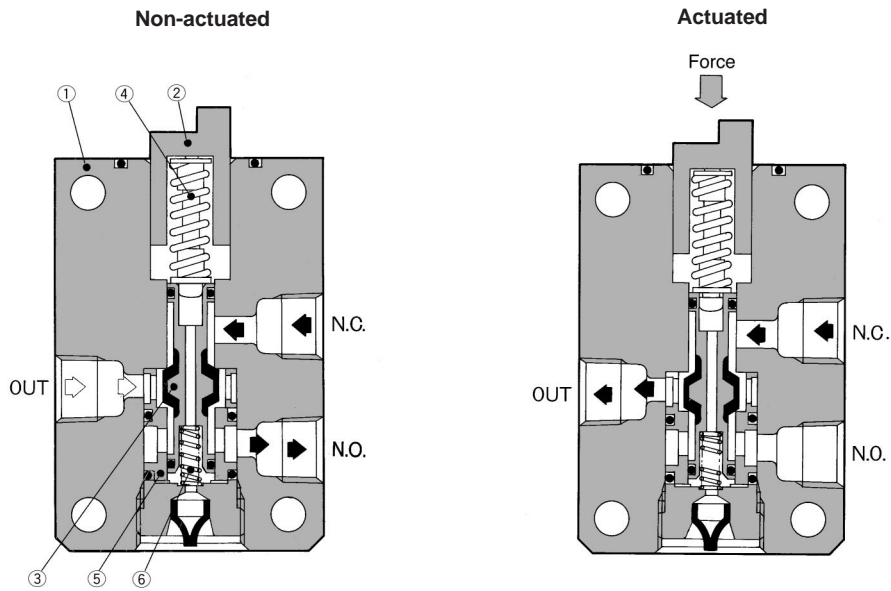
VM8 3 0 - 01 - 01

Number of ports		Port size		Actuator	
3	3 ports	01	Rc(PT) 1/8	00	Basic
				01	Roller lever
				13	Adjustable roller lever
				14	Adjustable rod lever

Applications



Construction



S□A

V□A

S□A

V□A

VM/VR

VH

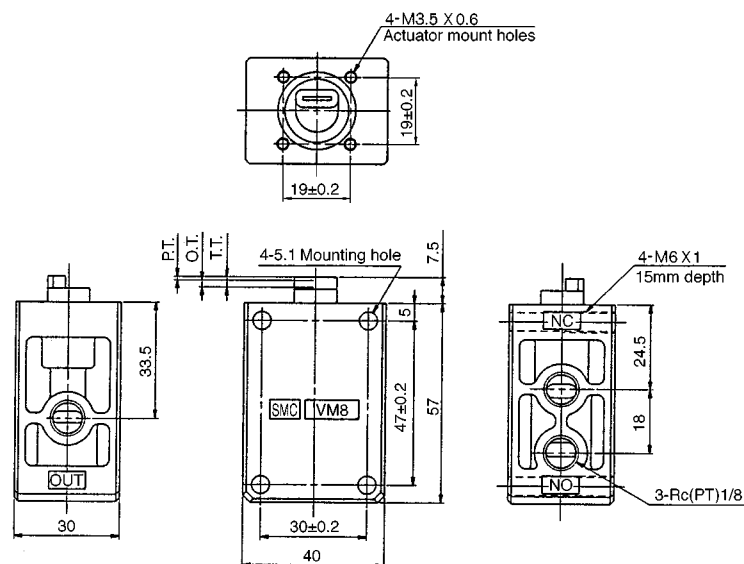
Component Parts

No.	Description	Material	Notes
①	Body	Aluminum alloy	Metallic plated
②	Plunger	Polyacetal	
③	Spool valve	Aluminum alloy, NBR	Rubber lined

No.	Description	Material	Notes
④	Over travel spring	Stainless steel	
⑤	Retainer	Brass	
⑥	Spring	Steel	Zinc chromate

Series VM800

Basic/VM830-01-00



JIS Symbol



F.O.F.	23N
P.T.	1mm
O.T.	2mm
T.T.	3mm