

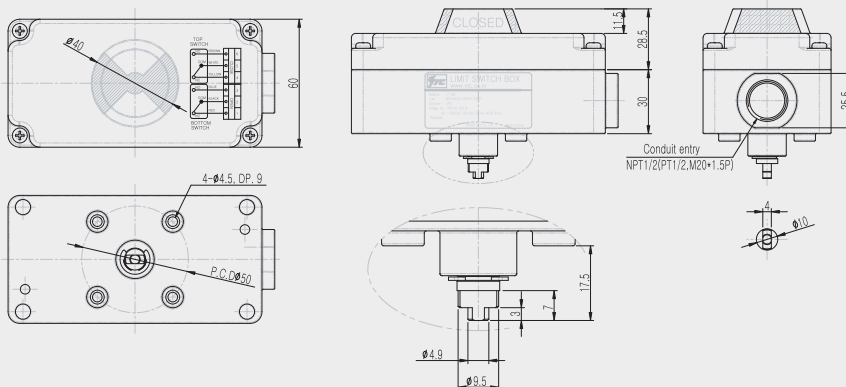
# Limit Switch Box YT-830

Product Number: YT-830       (specify your requirement)

Model	Switching Type	Connection Type	Bracket Type
YT-830	<b>M</b> Mechanical Type (2xSPDT)	<b>1</b> NPT1/2	<b>1</b> PS-1(30*80,H20)
		<b>2</b> PT1/2	<b>2</b> PS-2(30*80,H30)
		<b>3</b> M20	<b>3</b> PS-3(30*130,H30)
			<b>4</b> PS-4(30*130,H50)



Item · Type	YT-830M
Switch Type	Mechanical Switch(2xSPDT)
Switch Rating	AC:250V 3A, 125V 3A DC:250V 0.2A, 125V 0.4A, 30V 4A
Enclosure Protection	Weather Proof, IP67
Ambient Temp.	-20°C ~ 80°C
Conduit Entry	NPT1/2(PT1/2, M20)
Terminal	6Points
Mouting Bracket	NAMUR VDI / VDE 3845, ISO 5211
Material	PC & PP
Weight	220g(0.48lb)



- Visual position indicator
- 6 contacts of terminal ports
- Compatibility with any rotary motion actuator <ISO5211>
- Easy adjustment of cam position
- **All plastic body**