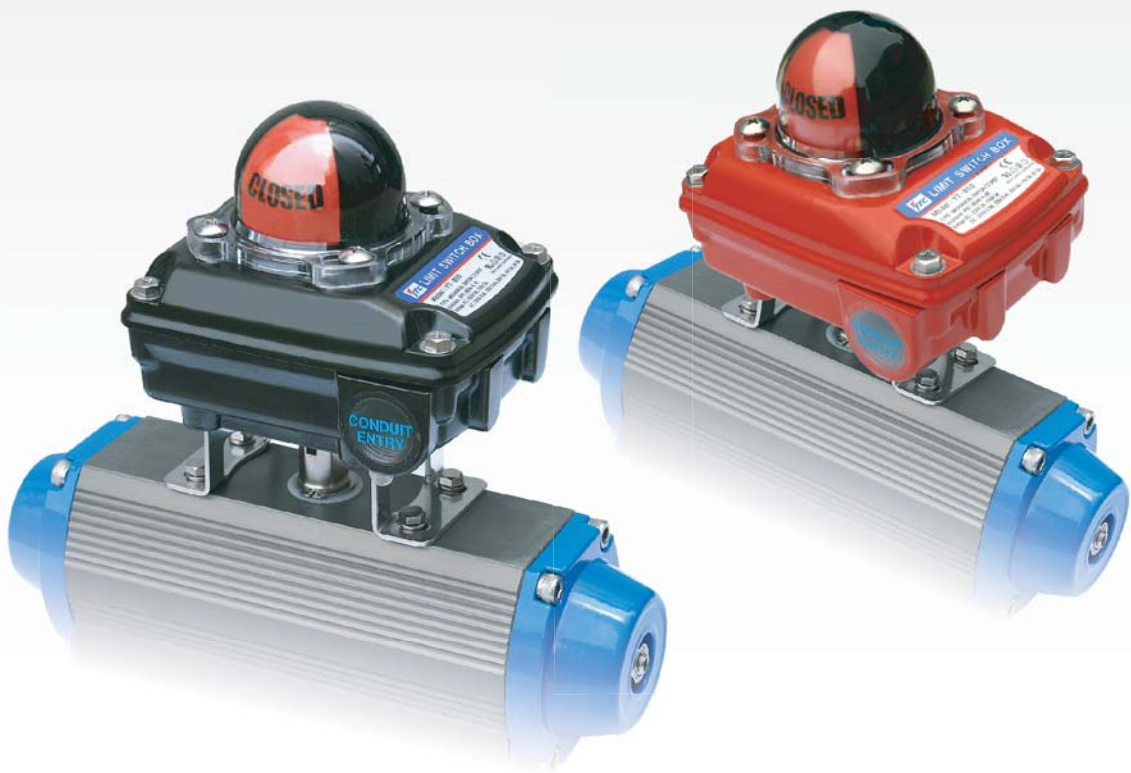




- Compact design
- High sensitivity
- Various options
- Easy maintenance



Limit Switch Box YT-850 Series

Rev. 250001

Features

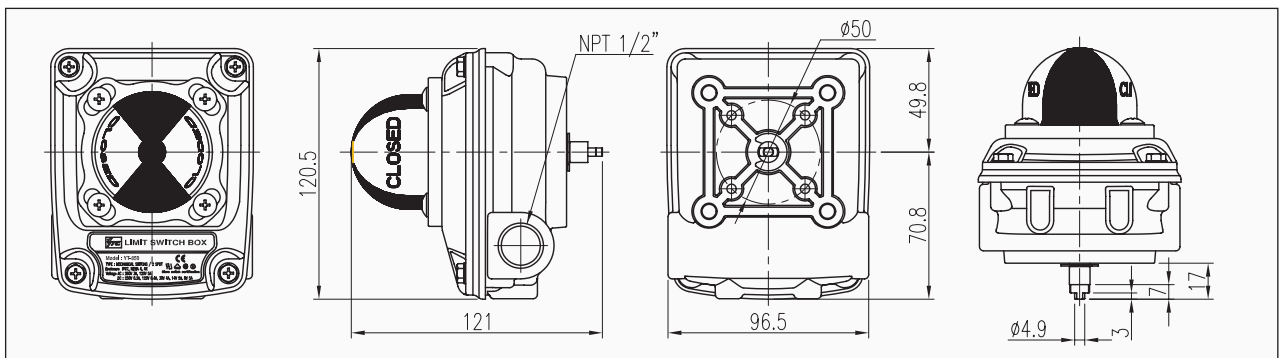
- 1) Visual Position Indicator
- 2) "Quick-Set" Cam : Limit Switch adjustment cams are splined and spring loaded, the switch cam position can be quickly adjust without tools(closed-up, open-down)
- 3) Multipoint Terminal Strip : Terminal strip number with 8 contacts is standard for micro switches. There are connected solenoid valve service
- 4) Dual Wire Potting
Dual 1/2" conduit entries
- 5) Captive Cover Bolts : There are designed to be captive by the cover, when it removed
- 6) Easy Mounting Bracket : Any actuator for rotary motion can be easily mounted in ISO 5211





Specification

Specification	Standard	Option	Material	
			Housing	Indicator
Enclosure Protection	Weather proof, IP67/NEMA4 & 4X	IP68	Aluminium die-casting	
Ambient Temp.	-20°C~80°C		Shaft	Stainless steel
Conduit Entry	2 x NPT1/2"	PF1/2", PT1/2" M20, PG13.5	Indicator cover	Polycarbonate
Switches	Mechanical switches x 2 Proximity sensor x 2		Indicator	ABS/Polycarbonate
Terminal	8 Points		Cam	Polycarbonate
Shaft	Standard Shaft(17mm)	Long Shaft	Spring	Stainless steel
External Coating	Black	Red, Blue, Yellow Green, Silver	O-ring	NBR
Weight	880g		Bracket	Stainless steel

Dimension

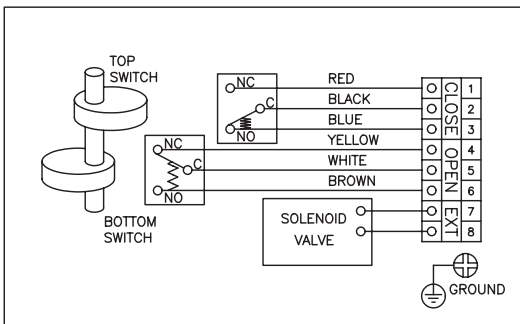


Switches

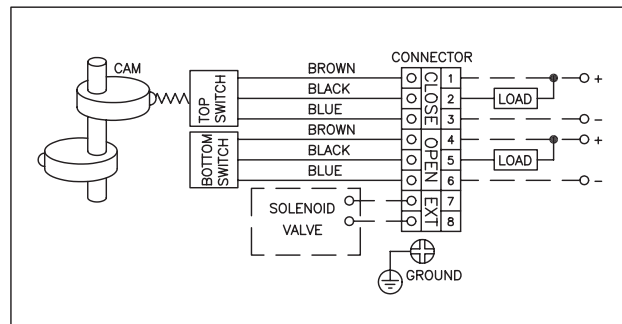
Mechanical Switch	Proximity sensor
 <p>Standard switch : SS5GL(Omron) 2SPDT switches Voltage AC : 250V 3A , 125V 5A DC : 250V 0.2A, 125V 0.4A, 30V 4A</p> <p>Optional switch : SS10GL(Omron) 2SPDT switches Voltage AC : 250V 10.1A , 125V 10.1A DC : 250V 0.2A, 125V 0.4A, 30V 4A</p>	 <p>Standard sensor : PS17-5DNU(Autronics) Inductive proximity sensor Operating Voltage : 12~24VDC Allowable Voltage : 12~30VDC Operating Distance : 5mm</p> <p>Optional sensor : NJ2-V3-N(P&F) Inductive proximity sensor Operating Voltage : 0~25VDC Operating Distance : 2mm</p>

Wiring Diagrams

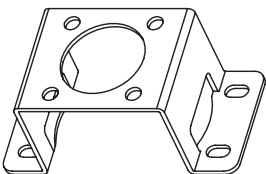
Mechanical Switch



Proximity sensor



Mounting Bracket

	Model No.	Material	Application
	ST-1	STAINLESS STEEL	30 * 80 , H : 20
	ST-2	STAINLESS STEEL	30 * 80 , H : 30
	ST-3	STAINLESS STEEL	30 * 130 , H : 30
	ST-4	STAINLESS STEEL	30 * 130 , H : 50



Young Tech Co., Ltd.

662-8, Pungmu-Dong, Kimpo-City, Kyeonggi-Do, Korea

Tel: 82-31-986-8545 Fax: 82-31-986-2683

Homepage: <http://www.ytc.co.kr>

E-mail: ytic@ytic.co.kr